

Deep Reach Mill-Thread



Contents:

Page:

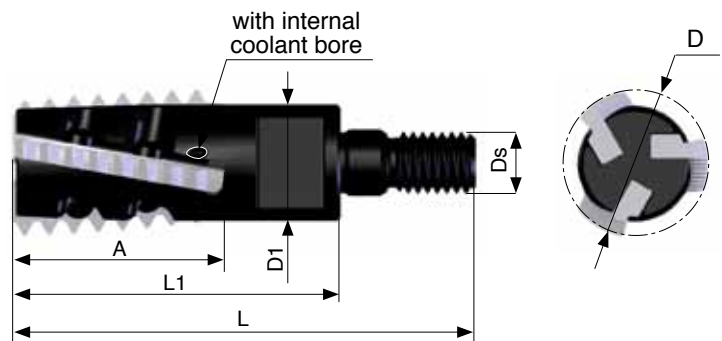
Toolholders
Extensions

206-208
208

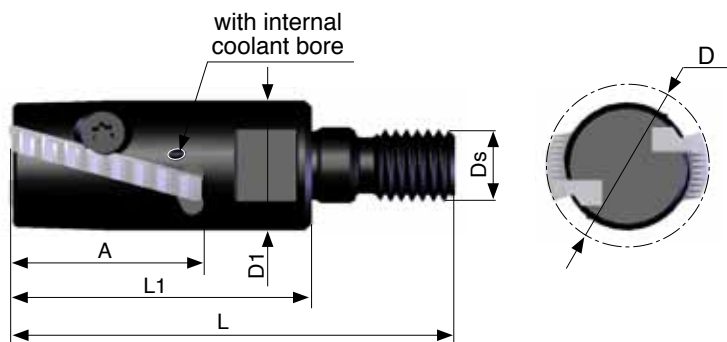
Carmex presents a modular line of Mill-Thread toolholders

- Carmex modular holders are ideal for deep reach applications.
- Unique clamping method enables optimal strength and indexability.
- Cost saving - Same shank can hold different heads.
- Toolholders with internal coolant bore.
- Screw connection allows long overhang.
- Carmex standard thread milling inserts fit these toolholders.
- Different steel extensions are available.
- Toolholders are compatible with common toolholding systems.

Toolholders

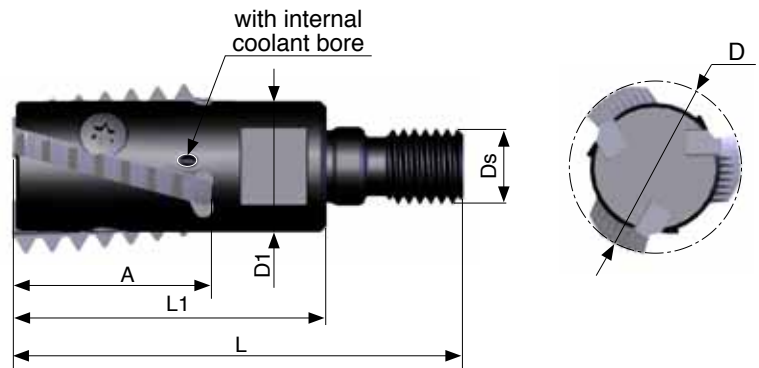


Ordering Code	Insert size A	D	D1	Ds	L1	L	No. of Inserts	Screw	Key
SR075H19 - 3 S	1.06	.75	.59	M8	1.67	2.36	3	S19	K16

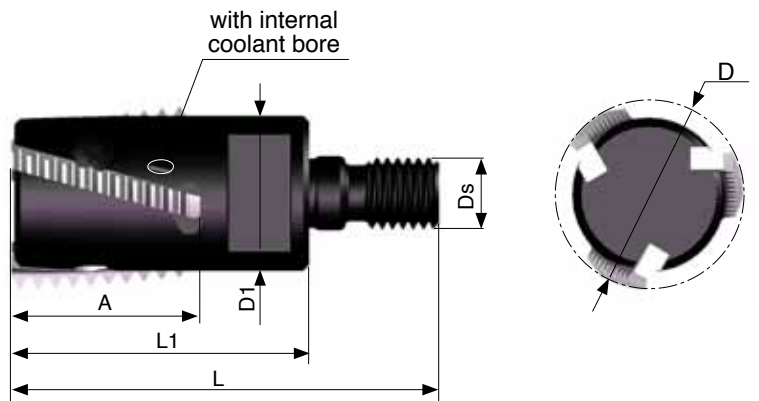


Ordering Code	Insert size A	D	D1	Ds	L1	L	No. of Inserts	Screw	Key
SR091H23 - 2 S	1.06	.91	.71	M10	1.67	2.46	2	S23	K16

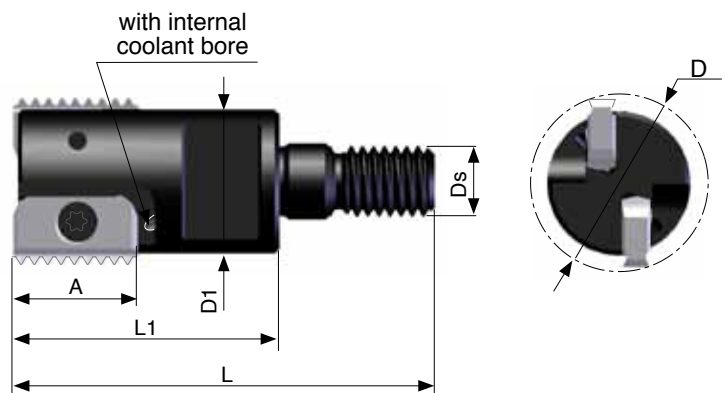
Deep Reach Mill-Thread



Ordering Code	Insert size A	D	D1	Ds	L1	L	No. of Inserts	Screw	Key
SR110H28 - 3 S	1.26	1.10	.83	M12	1.97	2.83	3	S28	K16

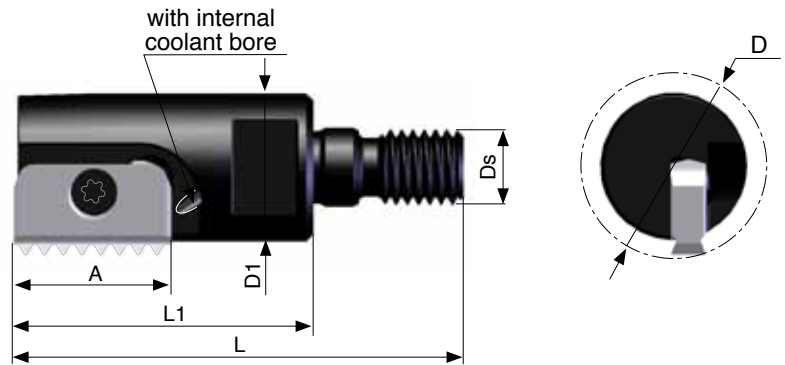


Ordering Code	Insert size A	D	D1	Ds	L1	L	No. of Inserts	Screw	Key
SR126H32 - 3 S	1.26	1.26	1.02	M12	1.97	2.83	3	S32S	K16

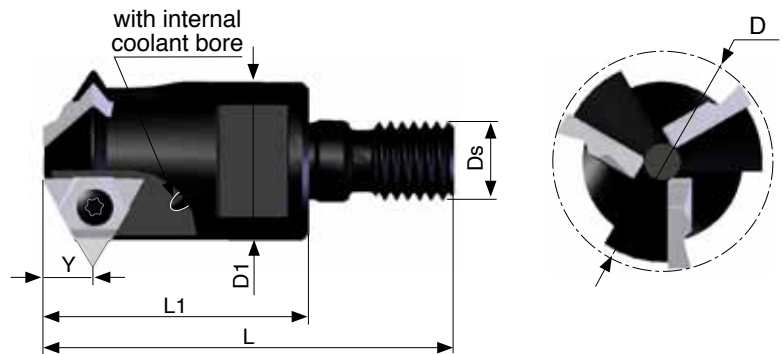


Ordering Code	Insert size A	D	D1	Ds	L1	L	No. of Inserts	Screw	Key
SR0790C14 - 2 S	.55	.79	.63	M8	1.20	1.89	2	S14	K14

Toolholders

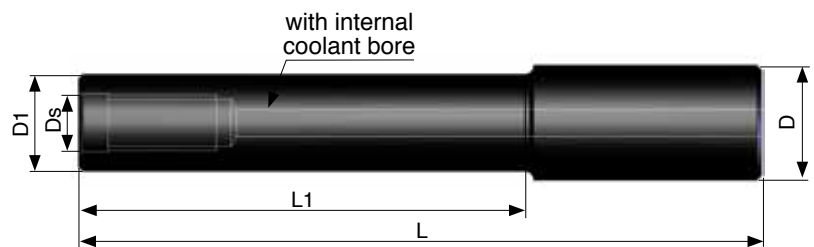


Ordering Code	Insert size A	D	D1	Ds	L1	L	No. of Inserts	Screw	Key
SR0980D21 - 1 S	.826	.98	.78	M10	1.57	2.36	1	S21	K21



Ordering Code	Insert size		Y	D	D1	Ds	L1	L	No. of Inserts	Screw	Key
	L	I.C.									
SR1300D16U - 3 S	16U	3/8U	.30	1.30	.94	M12	1.57	2.44	3	S16S	K16

Extensions



Ordering Code	D	D1	Ds	L	L1
E.625 M08 L3.15	.625	.59	M08	3.15	1.18
E.75 M10 L3.15	.75	.71	M10	3.15	1.18
E.75 M10 L5.0	.75	.71	M10	5.0	3.15
E1 M12 L4.0	1.0	.83	M12	4.0	2.0
E1 M12 L6.0	1.0	.83	M12	6.0	4.0