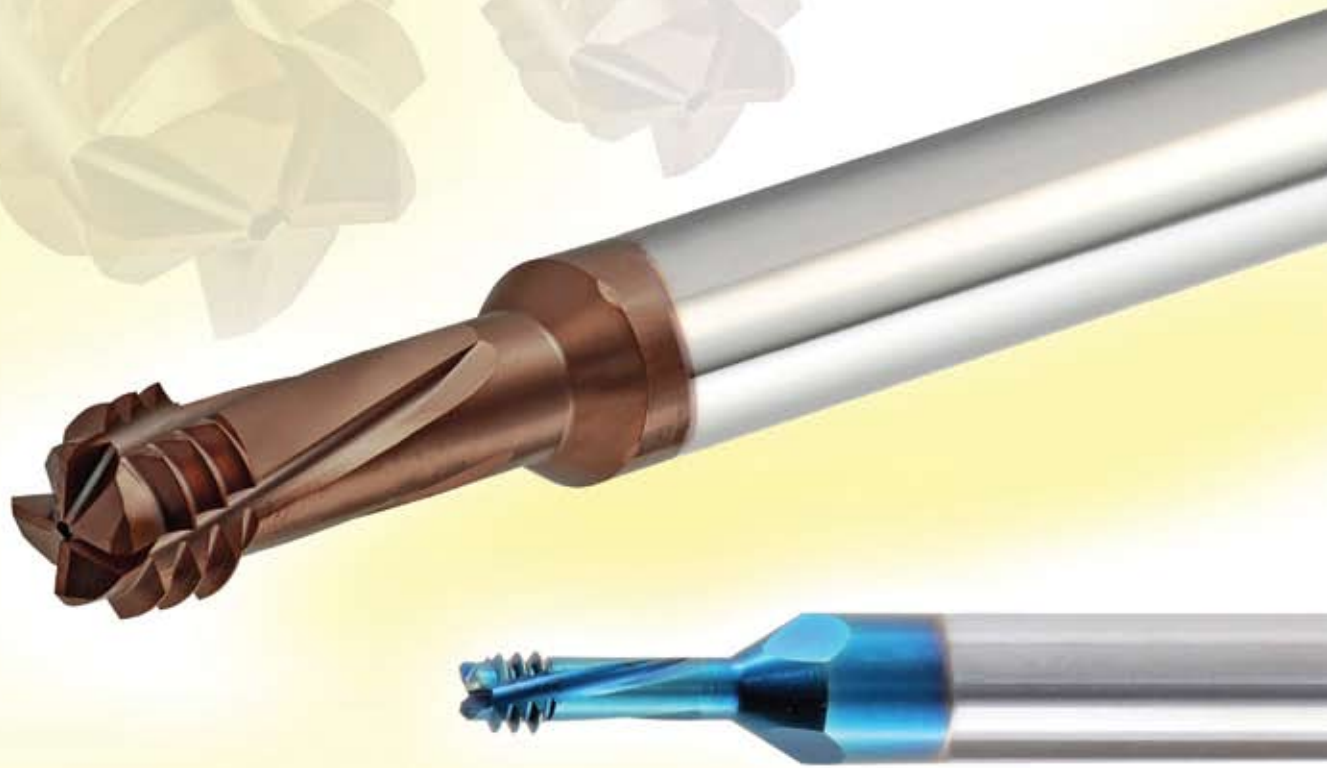


DMT 3 in 1 - *Drill, Thread, Chamfer



High Performance tools with internal coolant supply for the production of internal threads.
***Circular movement produces the thread hole, the thread and a chamfer in one work process.**

Carbide grade: MT7 Sub-micron grade with Titanium Aluminium Nitride multi-layer coating (ISO K10-K20).
MT11 Ultra - fine Sub-micron grade with advanced PVD triple Blue coating (for DMTH)

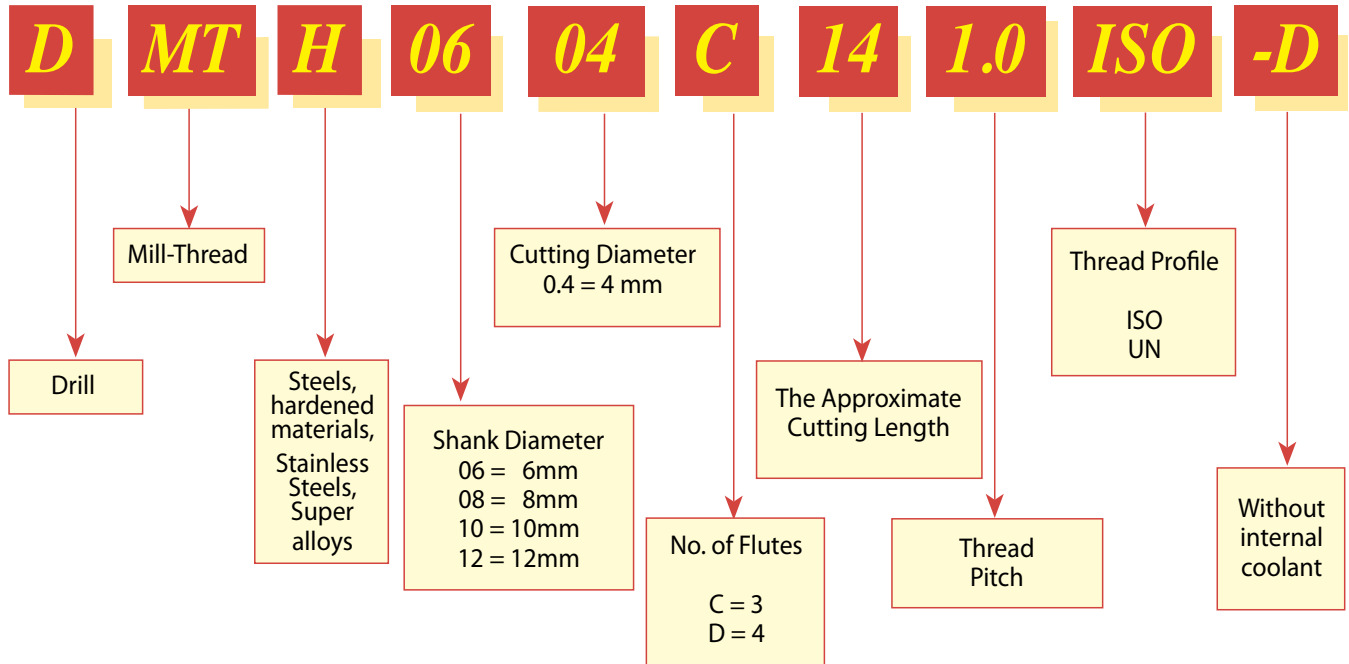
Advantages of DMT

- Cancels the need for drilling the hole.
- Short cycle time and high performance reduces machining costs.
- Suitable for both blind and through holes.
- Full Profile thread.
- No time lost for tool change, since drilling, chamfering and thread milling are done with one tool.
- Same tool for right-hand or left-hand threads.
- Cuts a wide range of materials.

| Contents: | Page: | Contents: | Page: |
|------------------------|--------------|------------------|--------------|
| Product Identification | 140 | DMTH | |
| ISO | 141 | ISO | 143 |
| UN | 142 | UN | 143 |

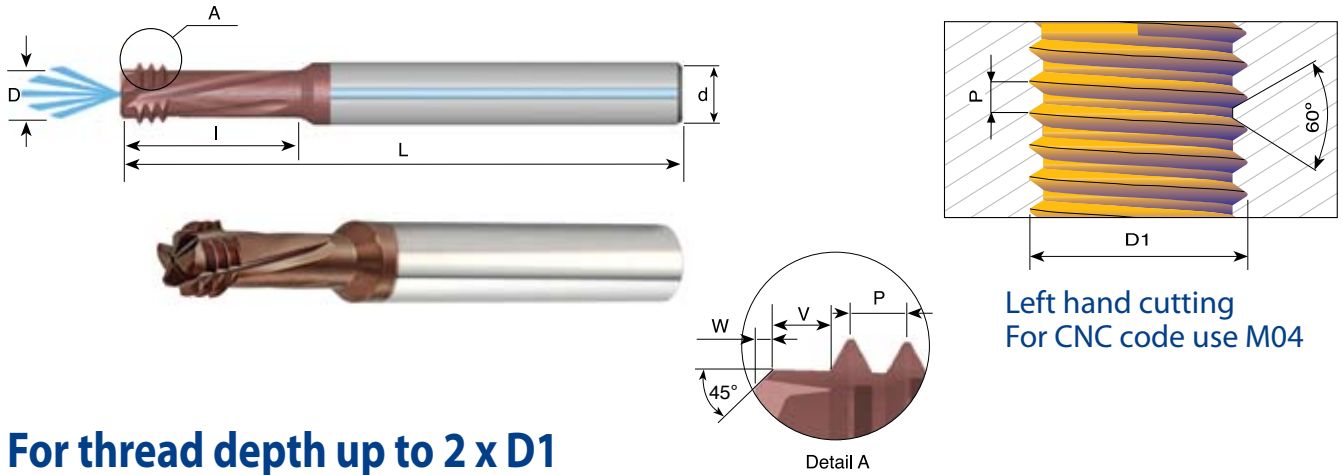
Product Identification

DMT 3 in 1 - *DRILL, THREAD, CHAMFER Ordering Codes



ISO internal coolant bore

Tools for Internal Thread - Metric Shanks



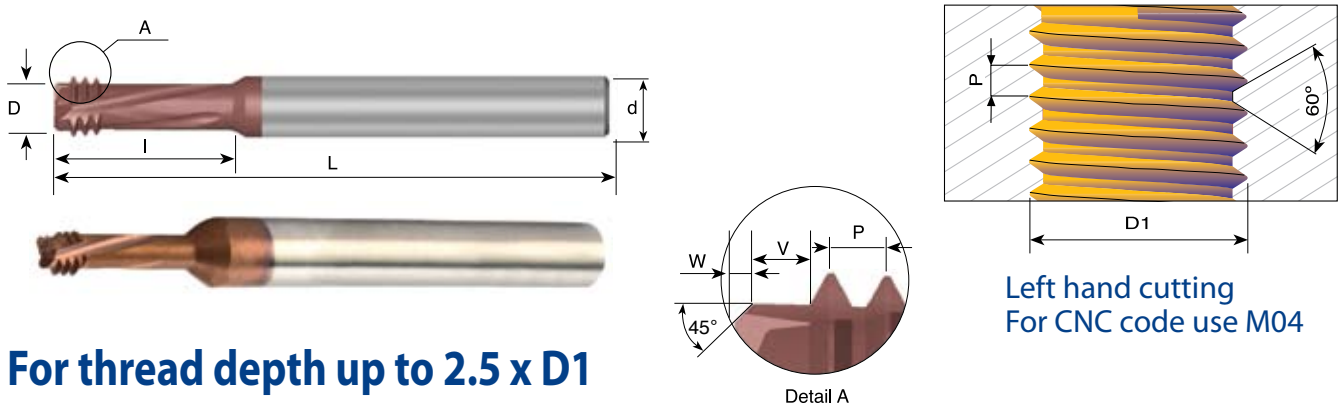
For thread depth up to 2 x D1

| Pitch mm | D1 | Ordering Code | d mm | D | No. of Flutes | I | W | V | L |
|----------|-----------|------------------------------|------|------|---------------|------|------|------|-----|
| 1.0 | M6 - M9 | DMT 08047C14 1.0 ISO | 8 | .185 | 3 | .55 | .016 | .039 | 2.5 |
| 1.25 | M8 - M12 | DMT 08061D18 1.25 ISO | 8 | .240 | 4 | .71 | .020 | .049 | 2.5 |
| 1.5 | M10 - M15 | DMT 08078D23 1.5 ISO | 8 | .307 | 4 | .91 | .024 | .059 | 2.5 |
| 1.75 | M12 | DMT 1009D26 1.75 ISO | 10 | .354 | 4 | 1.02 | .024 | .069 | 2.9 |
| 2.0 | M16 - M23 | DMT 12118D35 2.0 ISO | 12 | .465 | 4 | 1.38 | .024 | .079 | 3.3 |

Order example: DMT 08047C14 1.0 ISO MT7

Carbide grade MT7 Sub-Micron grade with Titanium Aluminum Nitride multi-layer coating (ISO K10 - K20). To be run at medium to high cutting speeds. General purpose for all materials.

ISO without internal coolant Metric Shanks



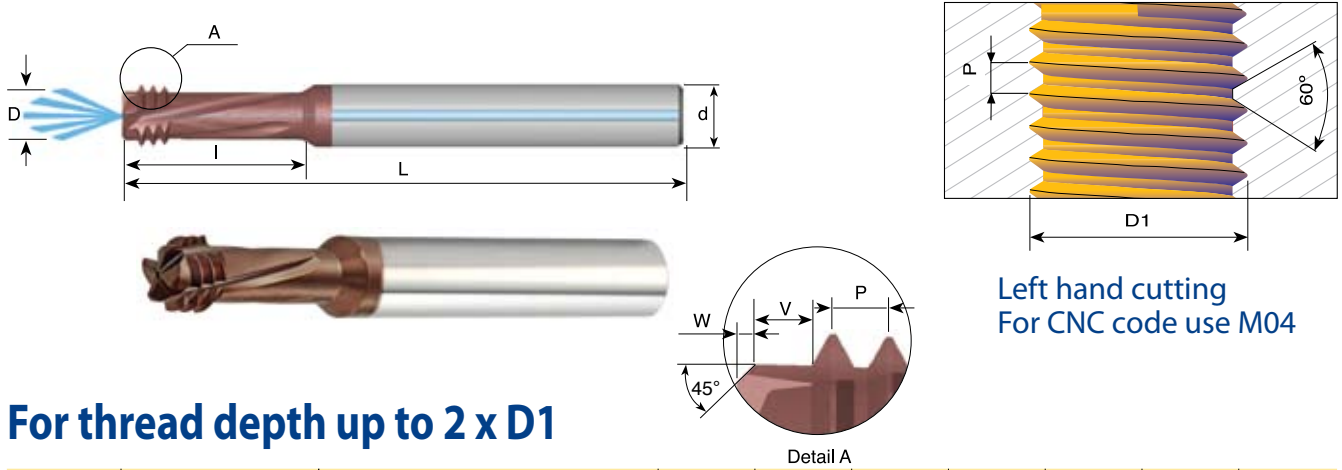
For thread depth up to 2.5 x D1

| Pitch mm | D1 | Ordering Code | d mm | D | No. of Flutes | I | W | V | L |
|----------|----|-------------------------------|------|------|---------------|-----|------|------|-----|
| 0.7 | M4 | DMT 06032C11 0.7 ISO-D | 6 | .124 | 3 | .46 | .008 | .028 | 2.3 |
| 0.8 | M5 | DMT 0604C14 0.8 ISO-D | 6 | .157 | 3 | .57 | .012 | .031 | 2.3 |

Order example: DMT 06032C11 0.7 ISO-D MT7

Carbide grade MT7 Sub-Micron grade with Titanium Aluminum Nitride multi-layer coating (ISO K10 - K20). To be run at medium to high cutting speeds. General purpose for all materials.

UN internal coolant bore Tools for Internal Thread - Metric Shanks



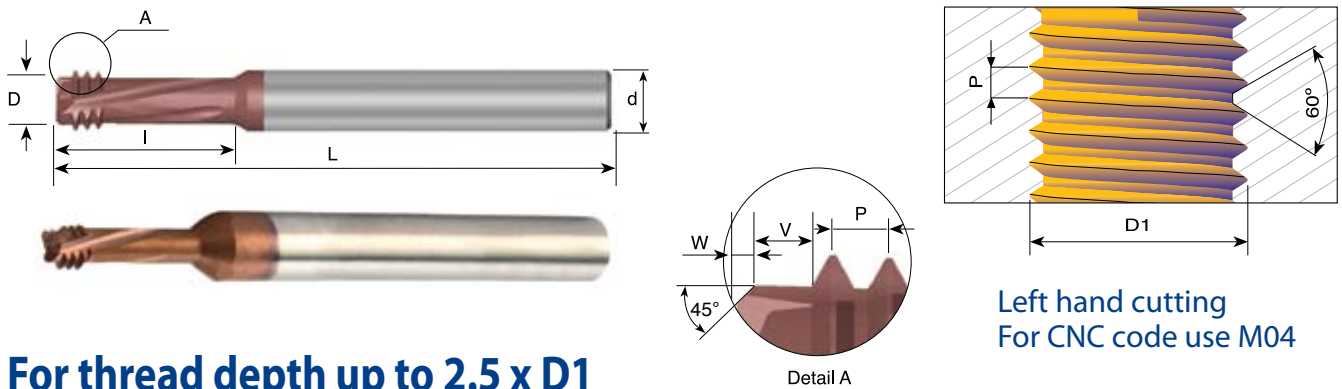
Left hand cutting
For CNC code use M04

For thread depth up to 2 x D1

| Pitch TPI | UN, UNEF, UNF UNC, UNS | Ordering Code | d mm | D | No. of Flutes | I | W | V | L |
|-----------|---------------------------|---------------------------|---------|------|------------------|-----|------|------|-----|
| 28 | 1/4 - 3/8 | DMT 0805C14 28 UN | 8 | .197 | 3 | .57 | .016 | .035 | 2.5 |
| 24 | 5/16 - 1/2 | DMT 08065D17 24 UN | 8 | .256 | 4 | .67 | .020 | .041 | 2.5 |
| 20 | 1/4 - 3/8 | DMT 08048C14 20 UN | 8 | .189 | 3 | .55 | .016 | .049 | 2.5 |
| 18 | 5/16 - 7/16 | DMT 0806D17 18 UN | 8 | .236 | 4 | .67 | .020 | .055 | 2.5 |
| 16 | 3/8 - 1/2 | DMT 08067C22 16 UN | 8 | .264 | 3 | .87 | .020 | .063 | 2.5 |

Order example: DMT 08067C 22 16 UN MT7

UN without internal coolant Metric Shanks



Left hand cutting
For CNC code use M04

For thread depth up to 2.5 x D1

| Pitch TPI | UNC | UNF | Ordering Code | d mm | D | No. of Flutes | I | W | V | L |
|-----------|-----|-----|-----------------------------|---------|------|------------------|-----|------|------|-----|
| 36 | | 8 | DMT 06033C12 36 UN-D | 6 | .130 | 3 | .47 | .008 | .028 | 2.3 |
| 32 | 8 | | DMT 06032C12 32 UN-D | 6 | .126 | 3 | .48 | .012 | .031 | 2.3 |
| 32 | | 10 | DMT 06038C14 32 UN-D | 6 | .150 | 3 | .55 | .012 | .031 | 2.3 |

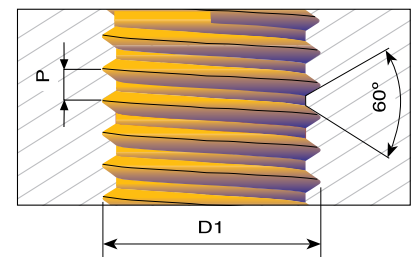
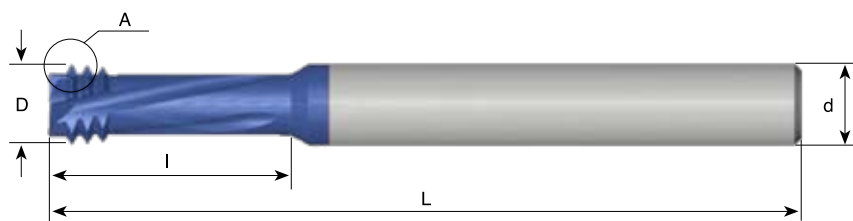
Order example: DMT 06032C12 32UN-D MT7

DMTH

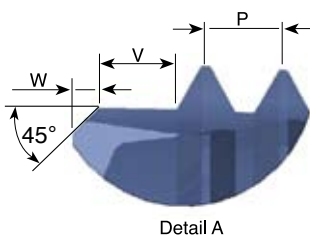
The new DMTH tools expand the range of the existing DMT line providing the ability to cut steels, hardened materials, stainless steels and super alloys.

ISO

Tools for Internal Thread - Metric Shanks



Left hand cutting
For CNC code use M04



Detail A

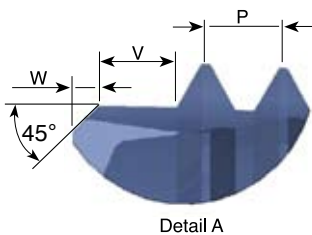
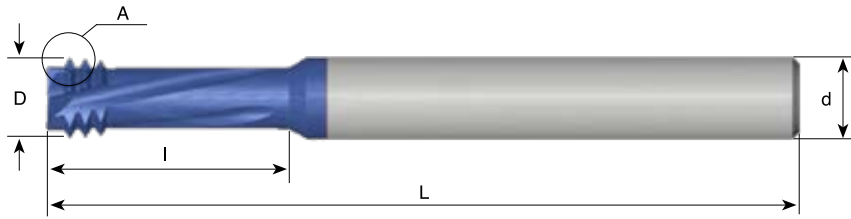
For thread depth up to 2 x D1

| Pitch mm | D1 | Ordering Code | d mm | D | No. of Flutes | I | W | V | L |
|----------|----------|--------------------------------|------|------|---------------|------|------|------|-----|
| 1.0 | M6 - M9 | DMTH 08047 C14 1.0 ISO | 8 | .185 | 3 | .57 | .016 | .039 | 2.5 |
| 1.25 | M8 - M12 | DMTH 08061 D19 1.25 ISO | 8 | .240 | 4 | .75 | .020 | .049 | 2.5 |
| 1.5 | M10- M15 | DMTH 08078 D23 1.5 ISO | 8 | .307 | 4 | .93 | .024 | .059 | 2.5 |
| 1.75 | M12 | DMTH 1009 D28 1.75 ISO | 10 | .354 | 4 | 1.11 | .024 | .069 | 2.9 |
| 2.0 | M16- M23 | DMTH 12118 D36 2.0 ISO | 12 | .465 | 4 | 1.44 | .024 | .079 | 3.3 |

Order example: DMTH 1009D28 1.75 ISO MT11

UN

Tools for Internal Thread - Metric Shanks



Detail A

For thread depth up to 2 x D1

| Pitch TPI | UN, UNEF, UNF UNC, UNS | Ordering Code | d mm | D | No. of Flutes | I | W | V | L |
|--------------|---------------------------|-----------------------------|---------|------|------------------|------|------|------|-----|
| 40 | 4 | DMTH 06021 C7 40 UN | 6 | .083 | 3 | .28 | .004 | .024 | 2.3 |
| 32 | 6 | DMTH 06026 C8 32 UN | 6 | .102 | 3 | .34 | .004 | .031 | 2.3 |
| 28 | 1/4-3/8 | DMTH 0805 C14 28 UN | 8 | .197 | 3 | .59 | .016 | .035 | 2.5 |
| 24 | 5/16-1/2 | DMTH 08065 D18 24 UN | 8 | .256 | 4 | .73 | .020 | .041 | 2.5 |
| 20 | 1/4-3/8 | DMTH 08048 C15 20 UN | 8 | .189 | 3 | .61 | .016 | .049 | 2.5 |
| 18 | 5/16-7/16 | DMTH 0806 D19 18 UN | 8 | .236 | 4 | .76 | .020 | .055 | 2.5 |
| 16 | 3/8-1/2 | DMTH 08067 C22 16 UN | 8 | .264 | 3 | .90 | .020 | .063 | 2.5 |
| 13 | 1/2 | DMTH 10092 C30 13 UN | 10 | .362 | 3 | 1.18 | .024 | .079 | 2.9 |
| 11 | 5/8 | DMTH 12114 C37 11 UN | 12 | .449 | 3 | 1.46 | .024 | .091 | 3.3 |

Order example: DMTH 08048 C15 20UN MT11