

Mill-Thread Toolholders



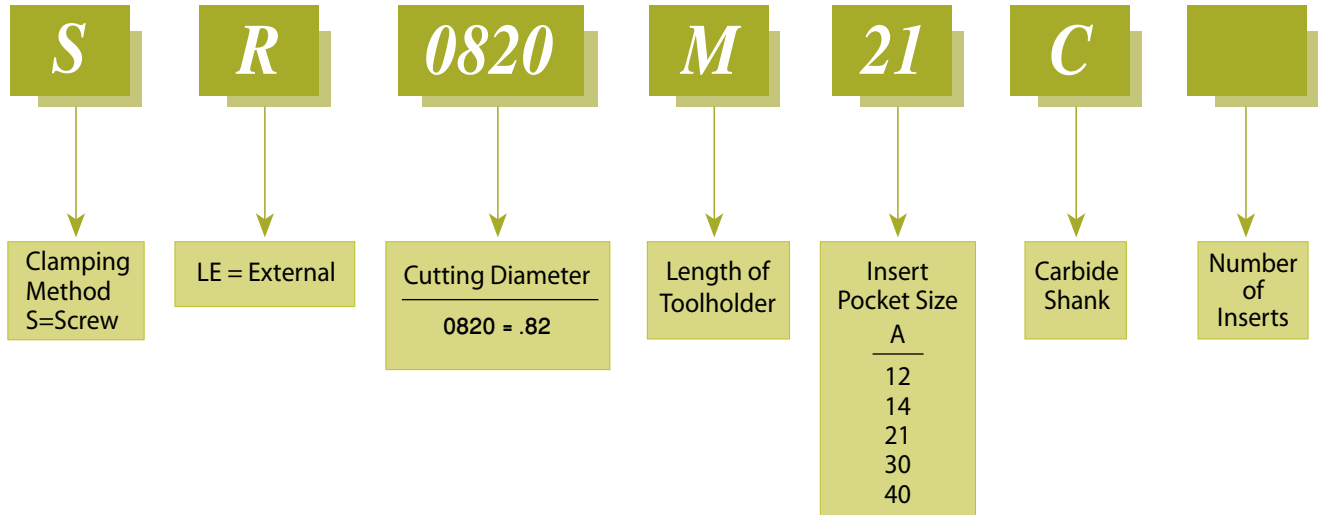
Contents:

Page:

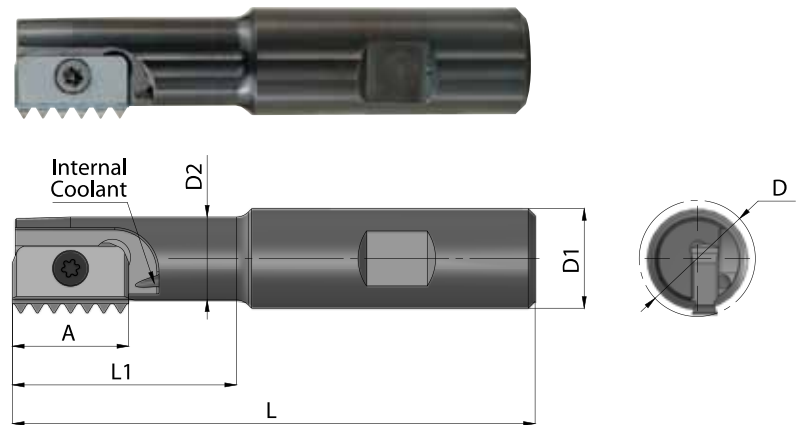
Product Identification	184
Single Insert Toolholders	185
Long Shank Toolholders	186
Twin Insert Toolholders	186
Multi Insert Toolholders	187
External Multi Insert Toolholders	187
Long Carbide Shank Toolholders	188
Carbide Shank Toolholders for Single	188

Product Identification

Mill-Thread Toolholders Ordering Codes



Single Insert Toolholders

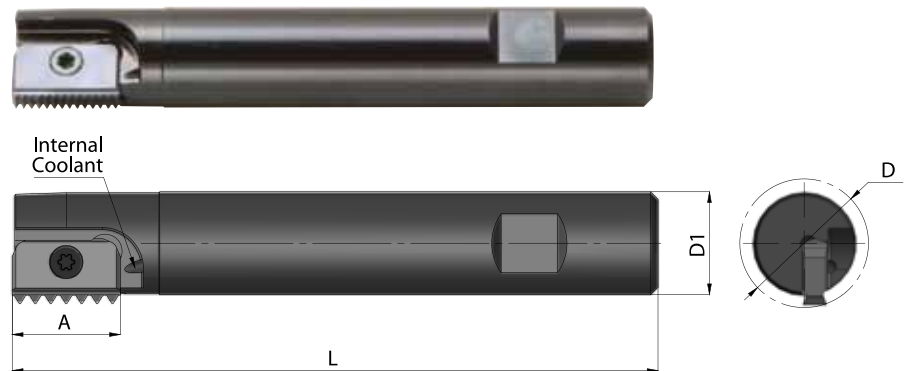


Ordering Code	A mm	D	D1	D2	L	L1	Insert Screw	Torx Key
SR0375H12	12	.37	.75	.30	3.35	.51	S12	K12
* SR0390H12	12	.39	.75	.30	3.35	.51	S12	K12
SR0500F14	14	.50	.75	.37	2.95	.70	S14	K14
SR0540F14	14	.54	.75	.38	2.98	.77	S14	K14
SR0570H14	14	.57	.75	.41	3.20	1.00	S14	K14
SR0670H14	14	.67	.75	.53	3.35	1.18	S14	K14
SR0790H21	21	.79	.75	.61	3.70	1.57	S21	K21
SR0790K21	21	.79	.75	.61	5.00	2.25	S21	K21
SR1140J30	30	1.14	1.00	.88	4.27	1.85	S30	K30
SR1500P40	40	1.50	1.25	1.13	7.00	4.25	S40	K40
SR1500R40	40	1.50	1.25	1.13	8.00	5.25	S40	K40
SR1730M40	40	1.73	1.50	1.38	6.02	3.19	S40	K40

Order example: SR0790H21

* For conical inserts: 12-18 NPT, 12-18 NPTF, 12-19 BSPT

Long Shank Toolholders

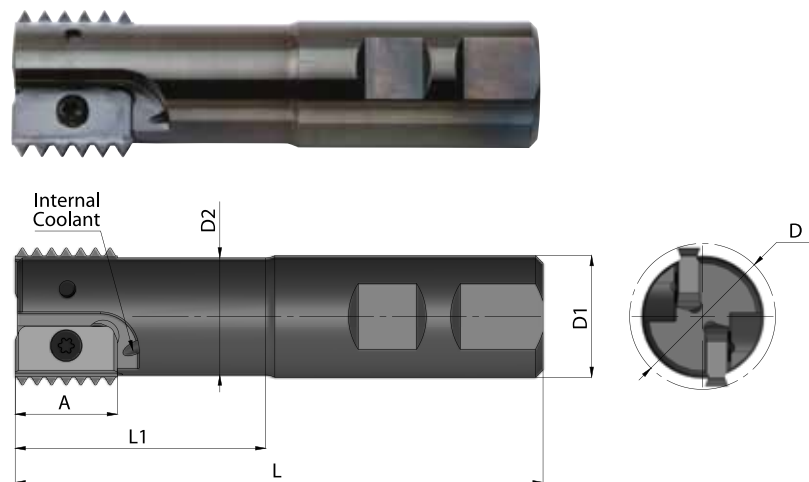


Ordering Code	A mm	D	D1	L	Insert Screw	Torx Key
SR0940K21	21	.94	.75	5.00	S21	K21
SR1240M30	30	1.24	1.00	6.00	S30	K30
SR1500M30	30	1.50	1.25	6.00	S30	K30

Order example: SR1240M30

For holders with long overhang reduce the cutting speed and feed rate between 20% to 40% (depends on workpiece material, pitch and overhang)

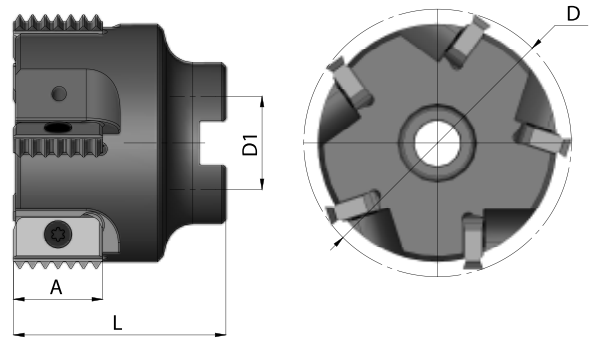
Twin Insert Toolholders



Ordering Code	A mm	D	D1	D2	L	L1	No. of Inserts	Insert Screw	Torx Key
SR0790H14-2	14	.79	.75	.63	3.66	1.54	2	S14	K14
SR1180J21-2	21	1.18	1.00	.95	4.25	1.97	2	S21	K21
SR1580L30-2	30	1.57	1.25	1.18	5.12	2.80	2	S30	K30
SR1970M40-2	40	1.97	1.50	1.49	6.02	3.35	2	S40	K40

Order example: SR1580L30-2

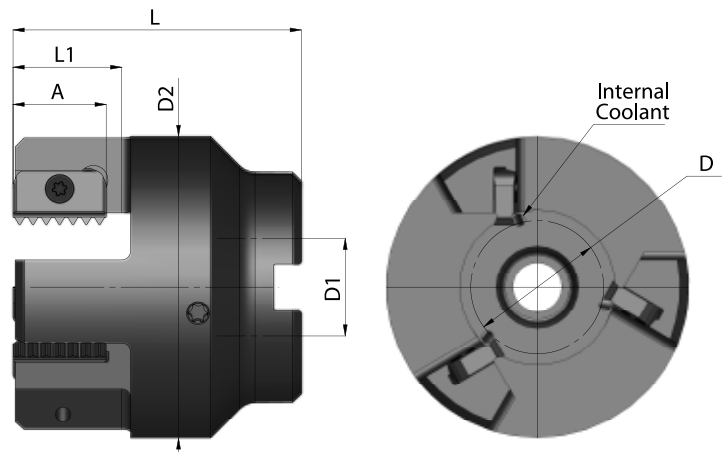
Multi Insert Toolholders



Ordering Code	A mm	D	D1	L	No. of Inserts	Insert Screw	Torx Key
SR2480C21-5	21	2.48	.75	1.97	5	S21	K21
SR2480C30-4	30	2.48	.75	1.97	4	S30	K30
SR3150D30-4	30	3.15	1.00	2.16	4	S30	K30
SR3940D30-4	30	3.94	1.25	2.36	4	S30	K30
SR3940D30-8	30	3.94	1.25	2.36	8	S30	K30
SR3150D40-4	40	3.15	1.00	2.56	4	S40	K40
SR3940E40-4	40	3.94	1.25	2.76	4	S40	K40
SR3940E40-6	40	3.94	1.25	2.76	6	S40	K40

Order example: SR3940D30-4

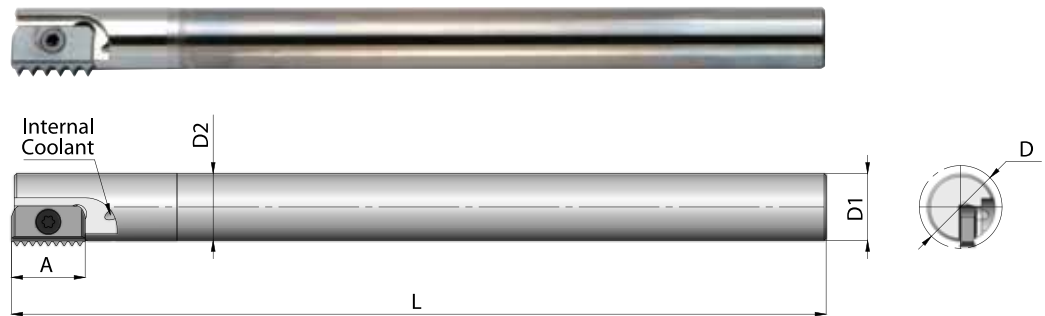
External Multi Insert Toolholder



Ordering Code	A mm	D	D1	D2	L	L1	No. of Inserts	Insert Screw	Torx Key
SLE0790D21-3	21	.79	.75	2.28	2.56	.95	3	S21	K21
SLE1180D21-3	21	1.18	.75	2.68	2.56	.95	3	S21	K21
SLE1770E21-4	21	1.77	1.00	3.27	2.76	.95	4	S21	K21

Order example: SLE1180D21-3

Long Carbide Shank Toolholders

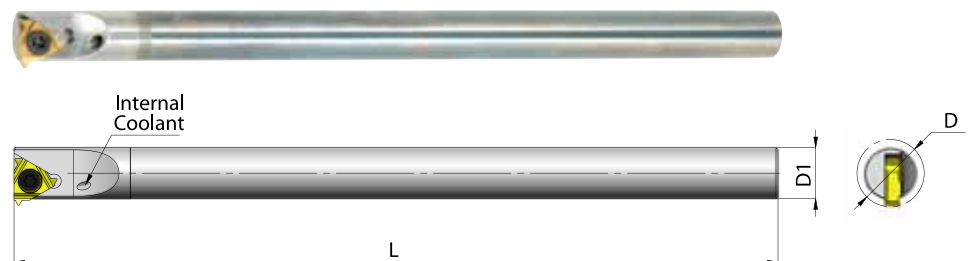


Ordering Code	A mm	D	D1	D2	L	Insert Screw	Torx Key
SR0390K12C	12	.39	.312	.312	5.0	S12	K12
SR0500J14C	14	.50	.375	.375	6.0	S14	K14
SR0620K14C	14	.62	.500	.500	7.0	S14	K14
SR0820M21C	21	.82	.625	.625	8.0	S21	K21
SR1020S30C	30	1.02	.750	.750	10.5	S30	K30

Order example: SR0620 K14C

For holders with long overhang reduce the cutting speed and feed rate between 20% to 40% (depends on workpiece material, pitch and overhang)

Carbide Shank Toolholders for Single Point Threading



Ordering Code	L mm	Pitch Range		D	D1	L	Insert Screw	Torx Key
		mm	TPI					
* SR0250H08C	08	0.5-1.75	48-14	.35	.25	4.0	S08	K08
** SR0375M11C	11	0.5-2.00	48-11	.50	.38	6.0	S11	K11

For Inserts see the Thread Turning Tools section of this Catalogue

For an internal application use an internal R.H. insert.

* Without coolant bore

** For an external application use an external L.H. insert.