



Contents:	Page:	Contents:	Page:
Introduction	2	CMT- Multi Spiral Flute	3
Indexable inserts and holder - U Type	2	Indexable inserts and holder - V type	4
Mini Mill Thread - MT1	3	Applying a Gear Milling request	4
CMT- Vertical Milling	3		

Gear Milling

Innovative tools for producing Gears, Spline and Rack offering versatile solutions according to customer's application.

Wide range of inserts geometries and grades.

Profiles according to DIN 5480, DIN 867, ANSI B92.1 standards.

Carmex Gear Milling line is based on standard or special toolholders and custom made inserts according to customer's application, for maximum flexibility and short delivery time. All tools profile are fully ground and highly accurate.



Shell Mill

High Flexibility

- Same tool can be used for different gear sizes and profiles
- Variety of production options on advanced machining centers, multi task machines and 5 axis machines
- In most cases the components can be machined with just one setup

Indexable inserts and holder - U Type

- Inserts with up to three cutting edges
- Multi flute
- For relatively large profiles, and high-powered cuts
- High precision insert's pockets and insert's tips to ensure small run-outs



Weldon shank

Mini Mill Thread - MTI

- Solid carbide tool for high rigidity and stability
- For small and medium profiles
- 3 to 6 cutting edges
- Large range of carbide grades



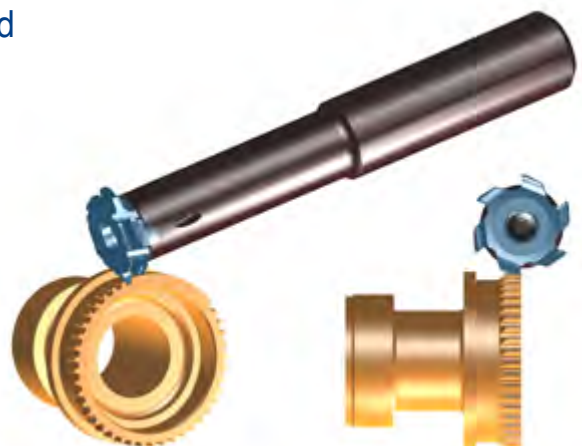
CMT - Vertical Milling

- Vertical gear milling cutters with indexable inserts
- 3 to 4 cutting edges
- Standard steel or carbide CMT toolholders
- With internal coolant



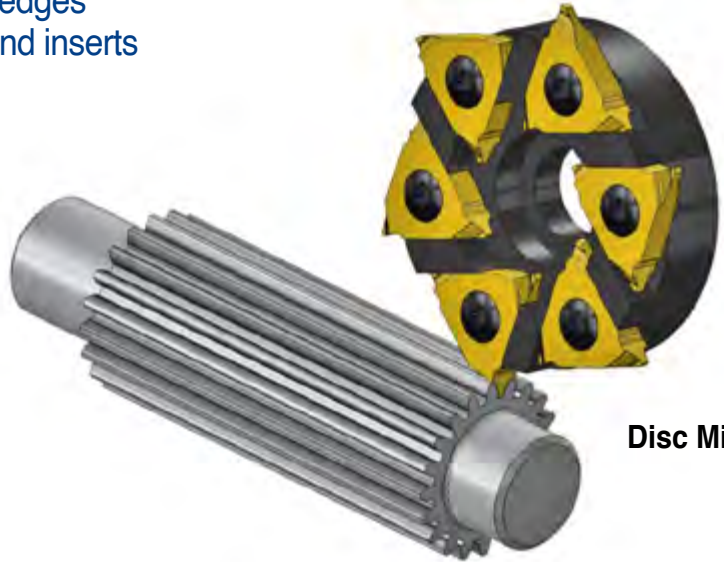
CMT - Multi Spiral Flute

- Multi spiral flute (6 to 8) for high performance and smooth cutting
- Standard steel or carbide CMT toolholders
- With internal coolant



Indexable inserts and holder - V type

- Inserts with up to three cutting edges
- High precision inserts pocket and inserts tip to ensure small run-outs



Disc Mill

Applying a Gear Milling request

Every Gear / Spline request has its own geometry and specifications, in order to provide the best solution the following data is needed:

- Gear / Spline standard
- Complete drawing of the required Gear / Spline standard, according to the following specifications:
 - Shape of tooth
 - Number of teeth
 - Major pitch and minor diameter
 - Quality requirements
 - Gear / Spline material
- Preferred solution: Solid carbide or holder with inserts